

**Cost-optimized DWDM/CWDM integration for additional eight optical channels**

- Protocol transparent (10 Mbps to 100 Gbps)
- Cost-effective alternative to DWDM systems of other vendors
- 8 x protocol transparent channels using one pair of fiber
- Easy-to-realize integration in CWDM systems
- For high or low-speed services
- No power supply required for multiplexers

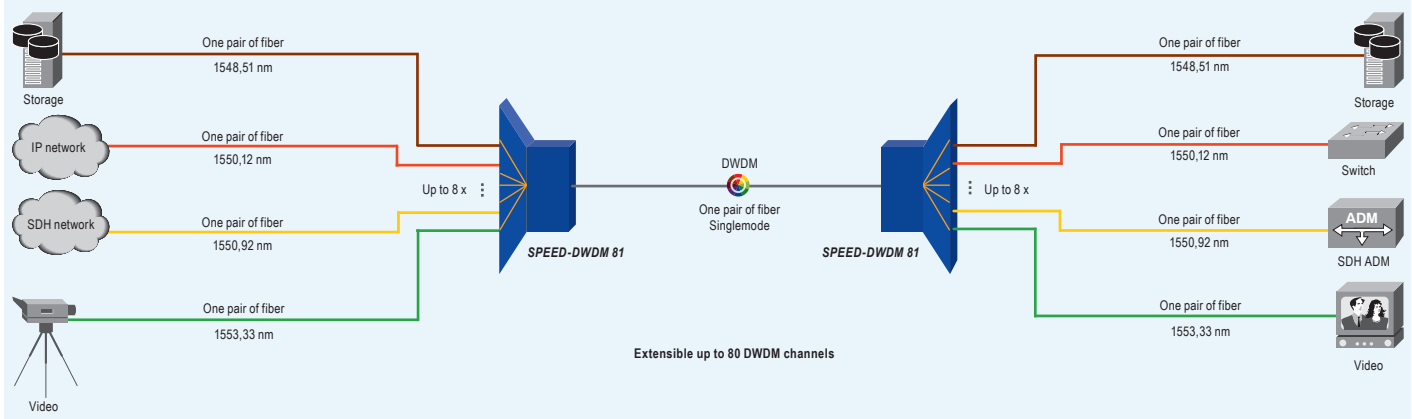


**8-channel DWDM multiplexer for bandwidths of 10 Mbps to 100 Gbps**

The SPEED-DWDM 81 series represents passive mux/demux modules. By means of an innovative design, these units are an extremely cost-effective alternative for point-to-point connections to existing active DWDM systems. This

DWDM unit is perfectly suited for connecting SFP-based user equipment which can be directly equipped with DWDM wavelengths. In the event that an integration of optics in existing user equipments cannot be accomplished, further

SPEED products can be provided to achieve a cost-effective wavelength conversion. In point-to-point or drop-and-bypass connection up to eight applications can be transmitted without additional efforts by using one pair of fiber.

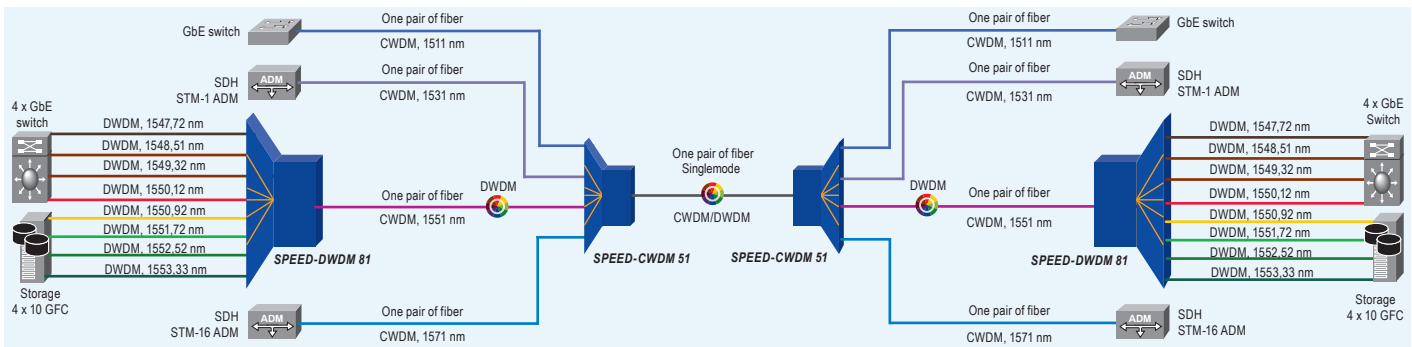


**CWDM/DWDM integration**

Additionally the SPEED-DWDM 81 can be used for cost-effective upgrading of capacity in existing CWDM networks. The eight wavelengths (1547.72 nm | 1548.51 nm | 1549.32 nm | 1550.12 nm | 1550.92 nm | 1551.72 nm |

1552.52 nm | 1553.33 nm) are easily transmitted through a simple patch to an optical output of a CWDM channel (either 1530 nm or 1550 nm). Thus existing passive CWDM systems e.g. a 5-channel multiplexer can be upgraded to 12

applications without the need to substitute installed components. The SPEED-DWDM series provides purely passive operation, needs no power supply and thus is an easy-to-maintain and fail-safe platform.



**Specifications**

- General**
- Insertion loss: Max. 4,5 dB
  - Passive mux/demux modules without requiring power supply
  - Operating temperature: 0 to 70°C
  - Storage temperature: 0 to 95% (non-condensing)
  - Dimensions (H x W x D): 44.45 x 483 x 260 mm
- Line port**
- Line type: single-mode
  - Connector: LC/UPC
  - Distance: Up to 80 km depending on power budget of user equipment
- Client port (ordering options)**
- 8 x single-mode
  - Wavelength:
 

SPEED-DWDM-81C	DWDM Kanal 30-37
SPEED-DWDM-81-16/23-A	DWDM Kanal 16-23
SPEED-DWDM-81-25/32-A	DWDM Kanal 25-32
SPEED-DWDM-81-34/41-A	DWDM Kanal 34-41
SPEED-DWDM-81-43/50-A	DWDM Kanal 43-50
SPEED-DWDM-81-52/59-A	DWDM Kanal 52-59
  - Connector: LC/UPC

- Applications**
- CWDM integration via 1530 nm or 1550 nm channel
  - High-speed: ATM, SONET/SDH, Ethernet/Fast Ethernet, Gigabit Ethernet, 10 Gigabit Ethernet, Fibre Channel, FICON, ESCON etc.
  - Low-speed: n x 64 kbit/s, Leased Lines, E1, applications etc.
- Housing types**
- 4 slot SPEED-CARRIER 1U
  - 16 slot SPEED-CARRIER 5U
  - Further housing types (e.g. rail mounting) or number of channels (e.g. 20 x DWDM wavelengths in 1U) are available on request
- Ordering option**
- SPEED-DWDM 81C-A      SPEED-DWDM 81C with 8 channels (Channel 30 to 37) (further channels on demand)

- Combinable SPEED products**
- SPEED-MODEM FO
  - SPEED-DUALLINE SFP
  - SPEED-DUALLINE SFP 3R
  - SPEED-DUALLINE SFP 3R PROTECT
  - SPEED-AMP EDFA
  - SPEED-AMP RAMAN
  - SPEED-DUALLINE FC SFP
  - SPEED-SINGLELINE XFP
  - SPEED-SINGLELINE XFP 3R
  - SPEED-DUALLINE FC XFP
  - SPEED-DUALLINE 10GE
  - SPEED-SINGLELINE SFP
  - SPEED-MUX 10G
  - SPEED-MUX 10GE

+49 (0) 6103 / 83 4 83 - 333

[info@pandacomdirekt.de](mailto:info@pandacomdirekt.de)

[www.pandacomdirekt.de](http://www.pandacomdirekt.de)