

Cost-effective multiplexer series for up to 16 optical CWDM channels by using only one pair of fibers

- Up to 16 protocol transparent channels using one pair of fibers
- Different modules supporting up to 16 CWDM channels
- No power supply required

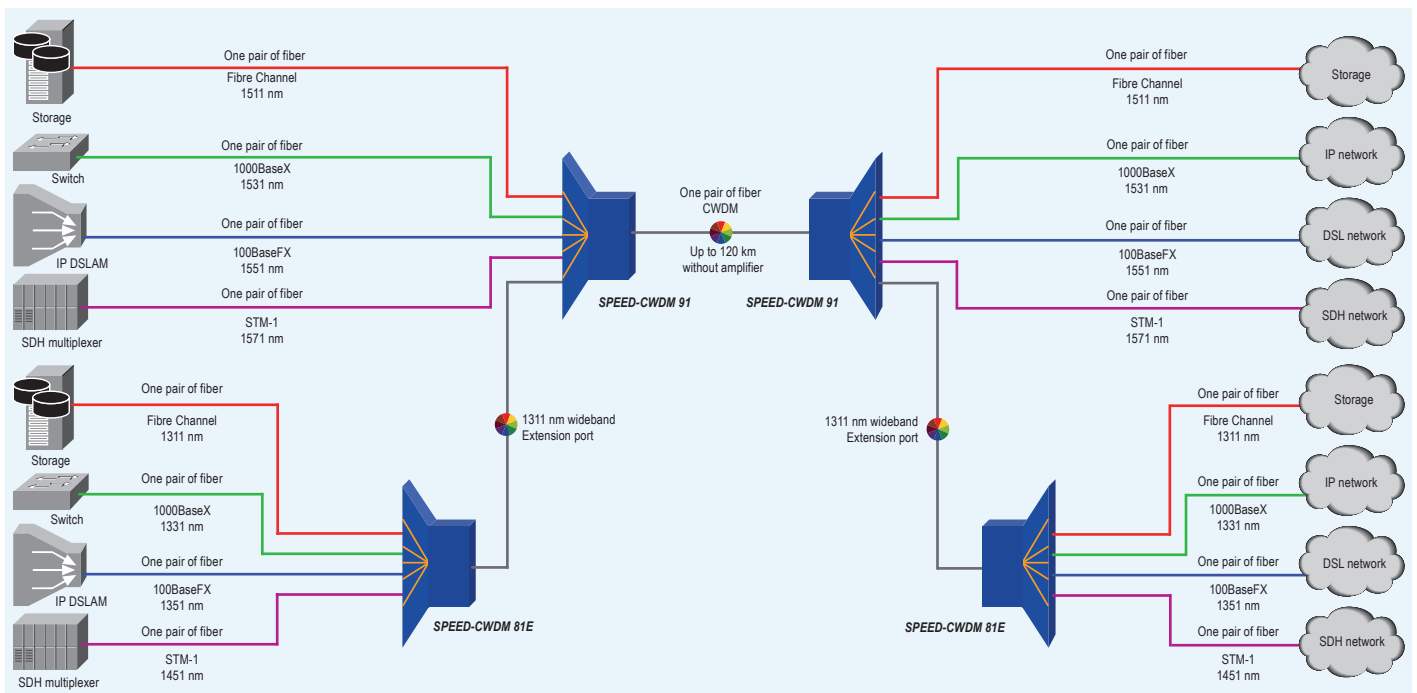


Saving on fiber optic lines by using passive CWDM multiplexer

SPEED-CWDM 51/91 are passive 4+1 and 8+1 CWDM mux/demux modules. Up to four or eight services can be multiplexed on a fiber optic link. The additionally integrated extension port can either be used to connect an additional service with 1310 nm or to expand the network with four

or eight additional channels. By combining a SPEED-CWDM 91 with a SPEED-CWDM 81E expansion multiplexer 16 CWDM wavelengths can be transmitted over one pair of fibers. All passive multiplexer modules support data rates up to 100 Gbps by being completely protocol trans-

parent. The main fields of applications are the use in SDH (STM-1, STM-4, STM-16, STM-64), IP (Fast Ethernet, Gigabit Ethernet, 10 Gigabit) ATM and storage (1G, 2G, 4G, 8G, 10G Fibre Channel) networks.

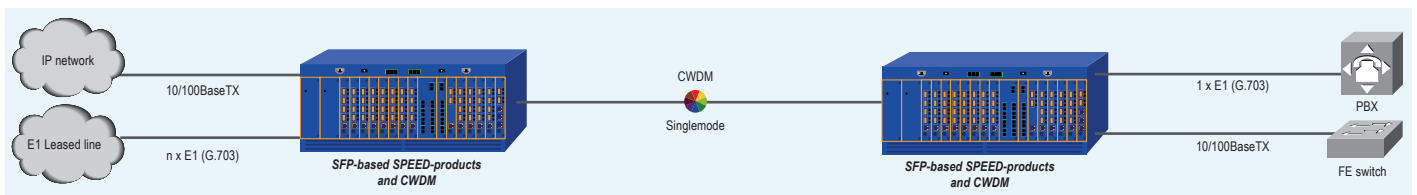


Cost-saving design for high-/low-speed applications using a CWDM application

Even low-speed applications can be transmitted over a CWDM wavelength by connecting further

SPEED products. The use of a TDM multiplexer enables to integrate additional low-speed ap-

plications like e.g. several X.21, E1, ISDN BRI, Ethernet and Fast Ethernet interfaces.



Specifications

General

- Maximum attenuation:
 - SPEED-CWDM 51: 3 dB
 - SPEED-CWDM 91: 4 dB
 - SPEED-CWDM 81E: 3.6 dB
- Passive mux/demux modules without requiring power supply
- Humidity: 0 to 95% (non-condensing)
- Dimensions (H x W x D):
 - SPEED-CWDM 51: 28 x 131 x 219 mm
 - SPEED-CWDM 91/81E: 56 x 131 x 219 mm

Line port

- Line type: single-mode
- Connector: LC
- Distance: Depending on power budget of user equipment

Housing types

- 4 slot SPEED-RACKHOUSING
- 1 slot stand-alone housing
- 16 slot SPEED-CARRIER 5U
- 4 slot SPEED-CARRIER 1U

Applications

- High-speed: ATM, SONET/SDH, Ethernet/Fast Ethernet, Gigabit Ethernet, 10 Gigabit Ethernet, Fibre Channel, FICON, ESCON etc.
- Low-speed: n x 64 kbit/s applications, Leased Lines, E1, S0 etc.

Client port (ordering option)

- SPEED-CWDM 51 (SCWDM-51-B):
 - 4 x Singlemode (1511 nm, 1531 nm, 1551 nm, 1571 nm)
 - 1 x extension port (1310 nm wideband)
- SPEED-CWDM 91 (SCWDM-91-B):
 - 8 x Singlemode (1471 nm, 1491 nm, 1511 nm, 1531 nm, 1551 nm, 1571 nm, 1591 nm, 1611 nm)
 - 1 x extension port (1310 nm wideband)
- SPEED-CWDM 81E (SCWDM-81E-B):
 - 8 x Singlemode (1271 nm, 1291 nm, 1311 nm, 1331 nm, 1351 nm, 1371 nm, 1431 nm, 1451 nm)

Combinable SPEED products

- SPEED-MODEM FO
- SPEED-DUALLINE SFP
- SPEED-DUALLINE SFP 3R
- SPEED-DUALLINE SFP 3R PROTECT
- SPEED-AMP EDFA
- SPEED-AMP RAMAN
- SPEED-DUALLINE FC SFP
- SPEED-SINGLELINE XFP
- SPEED-SINGLELINE XFP 3R
- SPEED-DUALLINE FC XFP
- SPEED-DUALLINE 10GE
- SPEED-SINGLELINE SFP
- SPEED-MUX 10G
- SPEED-MUX 10GE

+49 (0) 6103 / 83 4 83 - 333

info@pandacomdirekt.de

www.pandacomdirekt.de