

**Hybrid use of CWDM and DWDM wavelengths on one pair of fiber**

- Up to 14 x CWDM and 24 x DWDM
- Scalable up to 38 channels without interruption
- Protocol transparent up to 100 Gbps
- No power supply required

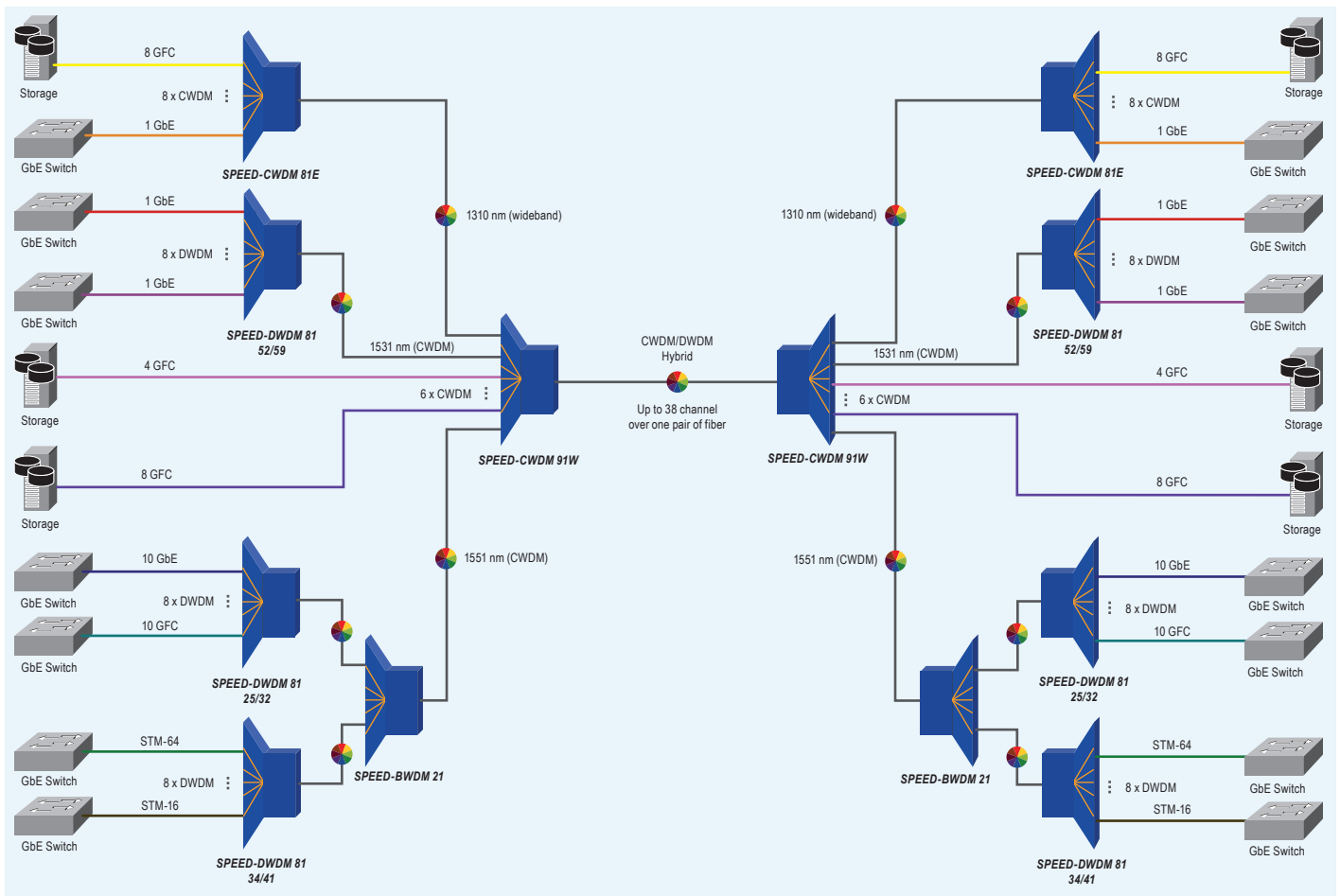


**Extension of a 9 channel CWDM systems up to 38 channels without interruption**

With a combination of SPEED-CWDM und SPEED-DWDM multiplexer series a transmission up to 38 applications such as Fibre Channel, SDH, Ethernet and Video over one pair of fiber

can be accomplished. Following the „pay as you grow“ concept, an extension of an existing network by integration of 16 narrowband DWDM via one CWDM channel without interruption of

services is achieved. The SPEED-CWDM and SPEED-DWDM series provides a purely passive operation, needs no power supply and thus is an easy-to-maintain and fail-safe platform.



**Specifications**

**General**

- Passive mux/demux modules without requiring power supply
- Operating temperature: 0 to 70°C
- Humidity: 0 to 95% (non-condensing)
- Dimensions (H x W x D): 56 x 131 x 219 mm

**Line port**

- Line type: singlemode
- Connector: LC/UPC
- Distance: Up to 80 km depending on power budget of user equipment

**Client port**

- Up to 38 x singlemode
- Connector: LC/UPC

**Housing types**

- 4 slot SPEED-CARRIER 1U
- 16 slot SPEED-CARRIER 5U
- Further housing types (e.g. rail mounting) or number of channels are available on request

**Applications**

- DWDM Integration over 1531 nm and 1551 nm channel
- High-speed: ATM, SONET/SDH, Ethernet/Fast Ethernet, Gigabit Ethernet, 10 Gigabit Ethernet, Fibre Channel, FICON, ESCON, 40G, 100G etc. n x 64 kbit/s applications, Leased Lines, E1 etc.
- Low-speed:

**Ordering option**

- SCWDM-91W-A 9 channel CWDM
- SCWDM-81E-B 8 channel CWDM
- SDWDM 81- 25/32-A 8 channel DWDM
- SDWDM 81- 34/41-A 8 channel DWDM
- SDWDM 81- 52/59-A 8 channel DWDM
- SBWDM-21-A 2 channel DWDM

**Combinable SPEED products**

- SPEED-MODEM FO
- SPEED-DUALLINE SFP
- SPEED-DUALLINE SFP 3R
- SPEED-DUALLINE SFP 3R PROTECT
- SPEED-AMP EDFA
- SPEED-AMP RAMAN
- SPEED-DUALLINE FC SFP
- SPEED-SINGLELINE XFP
- SPEED-SINGLELINE XFP 3R
- SPEED-DUALLINE FC XFP
- SPEED-DUALLINE 10GE
- SPEED-SINGLELINE SFP
- SPEED-MUX 10G
- SPEED-MUX 10GE

+49 (0) 6103 / 83 4 83 - 333

info@pandacomdirekt.de

www.pandacomdirekt.de