

19" chassis (1U) with redundant power supply for high and low SPEED access and aggregation modules

- Maximum packing density by providing 4 slots for compact modules in just 1U
- Future-proof through an integrated multi-bus system
- Redundant 230 V AC / 48 V DC power supply
- Optical connection to external management
- Front access and Plug&Play



Brocade
Data Center
Ready

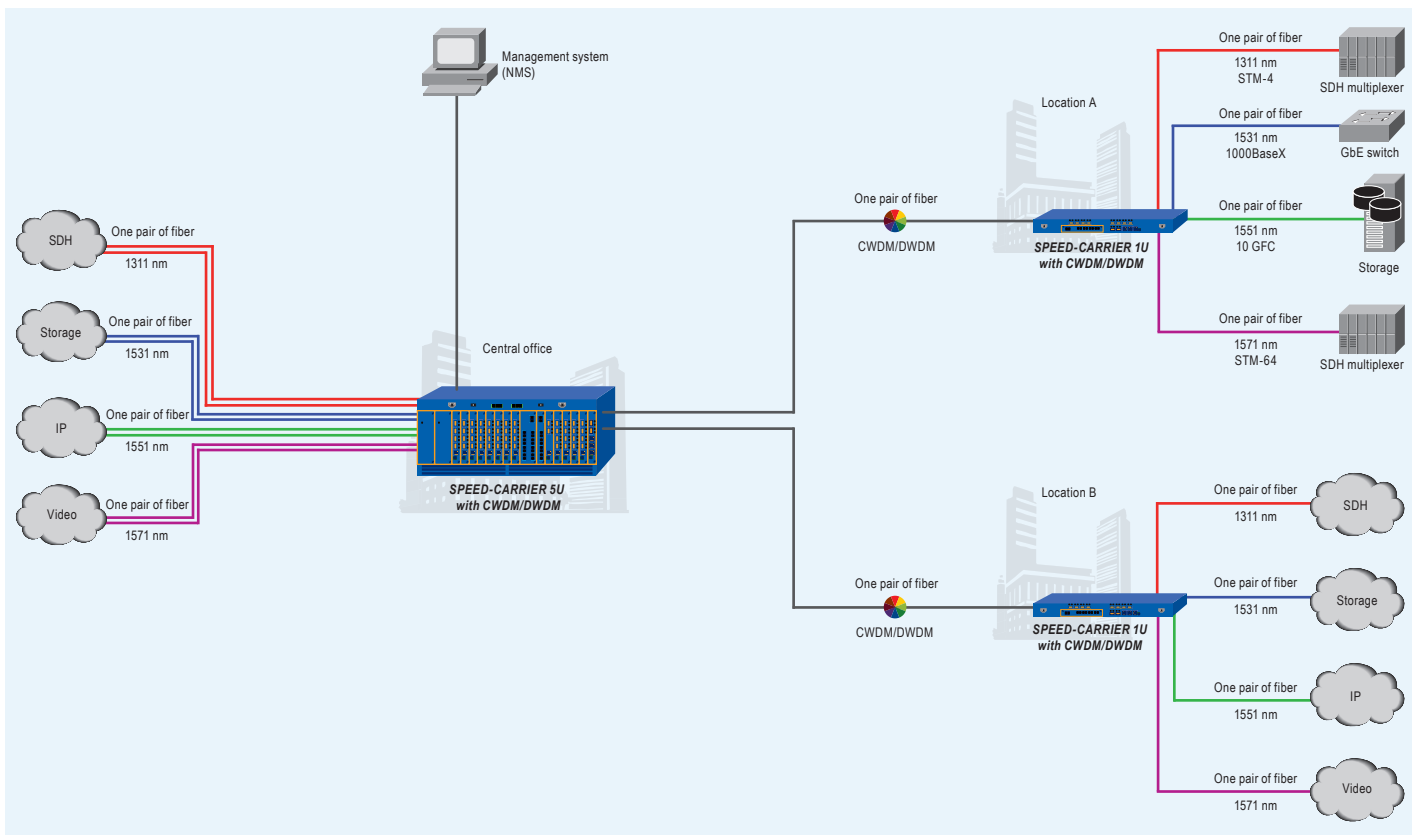


Star-shaped location connection with remote management using CWDM

This SPEED-CARRIER with its 1U size is an extremely flexible and compact chassis. Just four slots provide an outstanding port density for powerful access and aggregation modules as well as optical amplifiers. This chassis can be used for

multiple purposes e.g. for integration of passive SPEED-CWDM multiplexer or for up to four active SPEED rack mounted modules. A redundant AC or/and DC power supply – mixed operation possible as well – creates a platform redundan-

cy for highly available networks. No minimum distance to other units is required because of the perfected lateral concept for air circulation.



Specifications

General

- 1U 19" platform
- 4 module slots: Hot-pluggable for active or passive SPEED modules
- Power supply:
 - AC: 230 V, 50 watt per power supply (low power)
 - AC: 230 V, 60 watt per power supply (high power)
 - DC: 48 V, 60 watt per power supply (high power)
 - Optional: redundant power supply
- Dimensions (H x W x D): 44.45 x 483 x 260 mm
- Active integrated cooling

Backplane

- Robust design without system-critical electronics
- Power supply, management aggregation and various integrated data buses

Management (optional)

- Central monitoring of all active modules
- Integrated Ethernet switch (2 x 100BaseFX, 2 x 10/100BaseTX) for local management or management aggregation of 3rd party systems
- Access via SNMPv1, v2c and v3, Telnet, SSH, Web-Interface
- TFTP and NTP support
- Central configuration storage of all administrated modules
- 1 x alarm relay contact

Standards & compliance

- RoHS and WEEE conformity
- CE certified
- EN 60950, 55022 (class B), 55024
- ETS 300 019
- VDE 0804

Ordering options

- S-CARRIER-1U230HP-B SPEED-CARRIER 1U 230 V PSU, high power
- S-CARRIER-1U230RHP-B SPEED-CARRIER 1U redundant, 230 V PSU, high power
- S-CARRIER-1U48HP-B SPEED-CARRIER 1U 48 V PSU, high power
- S-CARRIER-1U48RHP-B SPEED-CARRIER 1U redundant 48 V PSU, high power
- S-CARRIER-1U230R48HP-B SPEED-CARRIER 1U 230 V/48 V PSU, high power

+49 (0) 6103 / 83 4 83 - 333

info@pandacomdirekt.de

www.pandacomdirekt.de